

# aiwa



## CA-DW345

COMPACT DISC STEREO SYSTEM

• BASIC TAPE MECHANISM: TN-21ZSW-1694

• TYPE: LH

**SIMPLE MANUAL**

• Replace this Service Manual with "Revision Publishing" when it is issued.

S/M Code No. 09-98C-402-2T1

99  
MANUAL  
99  
SERVICE  
99













ELECTRICAL PARTS LIST-5/5

28	87-018-208-080	OE	CAP 0.047-50F	A.....
29	87-018-208-080	OE	CAP 0.047-50F	A.....
30	87-010-248-080	OE	CAP, ELECT 220-10V	A.....
31	87-010-379-080	OE	CAP, ELECT 22-16V	A.....
35	87-018-059-080	OE	CAP TC-S 22P-50CH	A.....
32	87-018-134-080	OE	CAPACITOR,TC-U 0.01-16	A.....
34	87-018-134-080	OE	CAPACITOR,TC-U 0.01-16	A.....
33	87-018-134-080	OE	CAPACITOR,TC-U 0.01-16	A.....
44	87-018-122-080	OE	CAP 180P-50 B	.....
46	87-018-128-080	OE	CAP, CERA-SOL SS 560P	.....
45	87-018-131-080	OE	CAP, CER 1000P-50V	.....
22	87-008-261-010	1A	FILTER, SFE10.7MA5-A	A.....
3	87-008-261-010	1A	FILTER, SFE10.7MA5-A	A.....
1	87-A91-150-010		FLTR, CFAL-455 (TOKO)	A.....
4	87-020-465-080	OE	DIODE,1SS133 (110MA)	A.....
2	87-020-465-080	OE	DIODE,1SS133 (110MA)	A.....
1	87-020-465-080	OE	DIODE,1SS133 (110MA)	A.....
3	87-A40-226-080	OE	VARI-CAP,SVC251SPA	A.....
1	87-A20-955-010	1C	IC,LA1828	A.....
9	87-A50-334-010	1A	COIL,FM DET (TOKO)	A.....
8	87-A50-335-010	1A	COIL,FM IFT (TOKO)	A.....
7	87-A50-336-010	1A	COIL,AM IFT (TOKO)	A.....
6	87-A50-337-010	1A	COIL,AM OSC (TOKO)	A.....
5	87-A50-343-010		COIL,FM OSC EX	A.....
4	87-A50-345-010	OE	COIL,FM RF EX	A.....
2	87-A50-347-010		COIL,FM BPF EX	A.....
3	87-A50-348-010		COIL,BAR ANT LW/MW (COI)	.....
3	87-A50-349-010		COIL,BAR ANT AMW (COI)	A.....
10	87-003-102-080	OE	COIL, 10UH	A.....
17	87-A50-340-010		COIL,SW OSC (TOKO)	.....
11	87-A50-341-010		COIL,SW ANT (TOKO)	.....
16	87-A50-420-010	1E	COIL,MW OSC (SYN)	.....
41	87-003-143-080	OE	COIL 4.7 UH	.....
3	87-026-215-080	OE	TR,DTC114YS	A.....
5	87-026-291-080	1A	TR,DTC124XS	A.....
2	87-026-572-080	OE	TR,DTA114TS	A.....
4	89-109-521-080	OE	TR,2SA952 (0.6W)	.....
1	89-319-233-080	OE	TR,2SC1923 (0.1W)	A.....
2	88-CT6-618-010		SLIDE SW 4P3T	.....
1	88-CT7-602-010		SLIDE SW 2P2T	A.....
6	87-011-220-080	1A	TRIMMER CAP 20P VTC	.....
5	87-011-221-080	1A	CAP, TRIMMER 30P	.....
1	87-A90-984-010		TUN-CAP,20P-160P AL-U(TOKO)	A.....
1	87-A90-985-010		TUN-CAP,20P-335P L-H(TOKO)	.....



MECHANICAL PARTS LIST-2/2

88-CT6-632-010	TERMINAL, ASSY MECHA 1P	A.....
8Z-CT6-201-010	HLDR, LCD	A.....
8Z-CT6-205-010	HLDR, LED FUNC	A.....
8Z-CT7-202-010	HLDR, LED GEQ	A.....
88-CT6-624-010	SPR, BATT	A.....



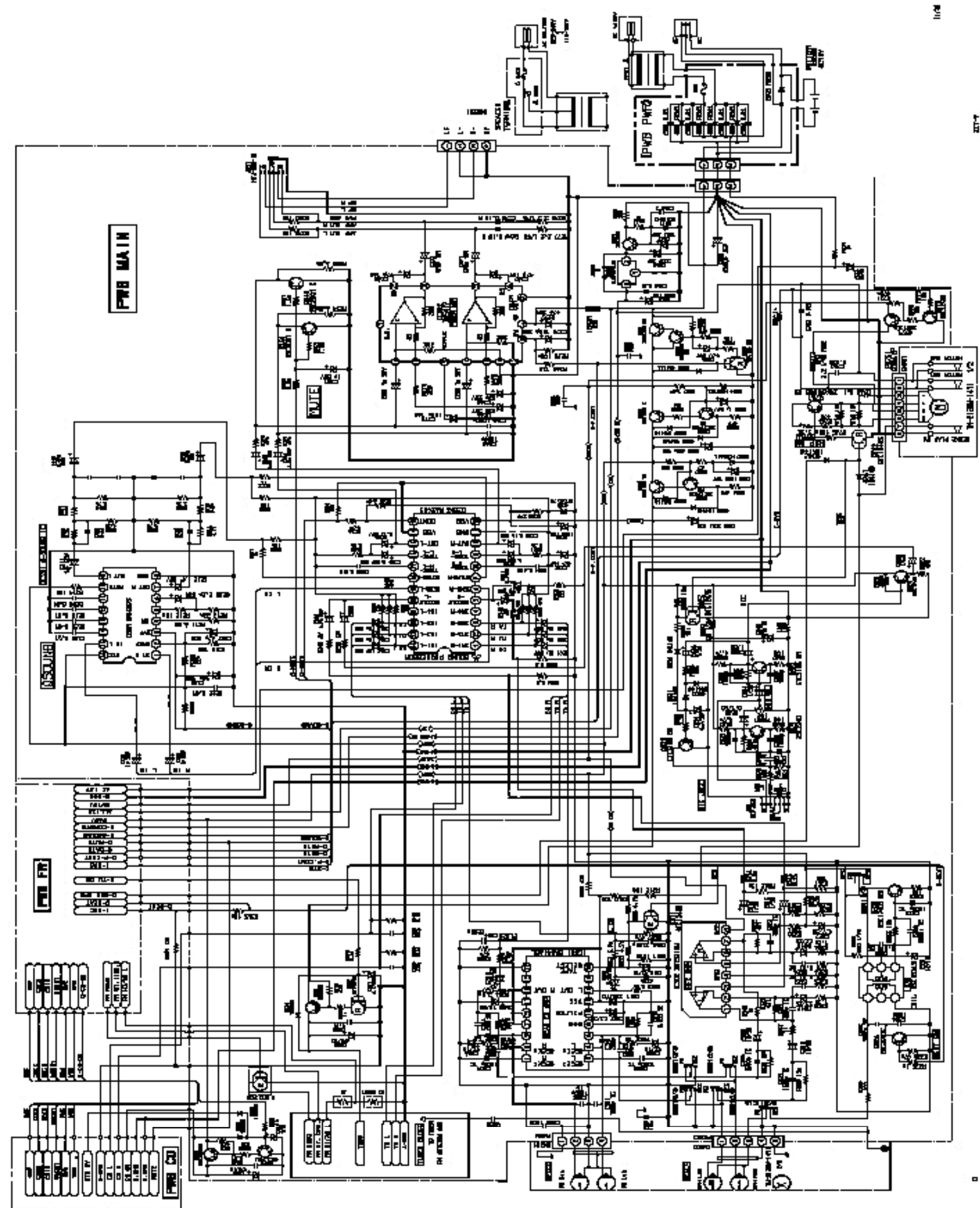
ACCESSORIES / PACKAGE LIST-1/1

NOTE: The characters in the suffix column indicate the part usage.

REF.NO	PARTS NO.	KANRI NO.	DESCRIPTION	SUFFIX
LHSCC	.....	XX	.....	A.....
	8Z-CT7-906-010		IB, LH (ESP) FM	A.....
	8Z-CT7-907-010		IB, HE (ECA) FM	.....
	87-050-076-010	1C	AC CORD SET ASSY, E	A.....
	87-A90-312-010		PLUG, CONVERSION WTN-1157R1	A.....
	8Z-CK4-952-010	1F	RC UNIT, RC-ZAT04	A.....

100-5554-1-201 REV 1

SCHEMATIC DIAGRAM - 1 (MAIN)

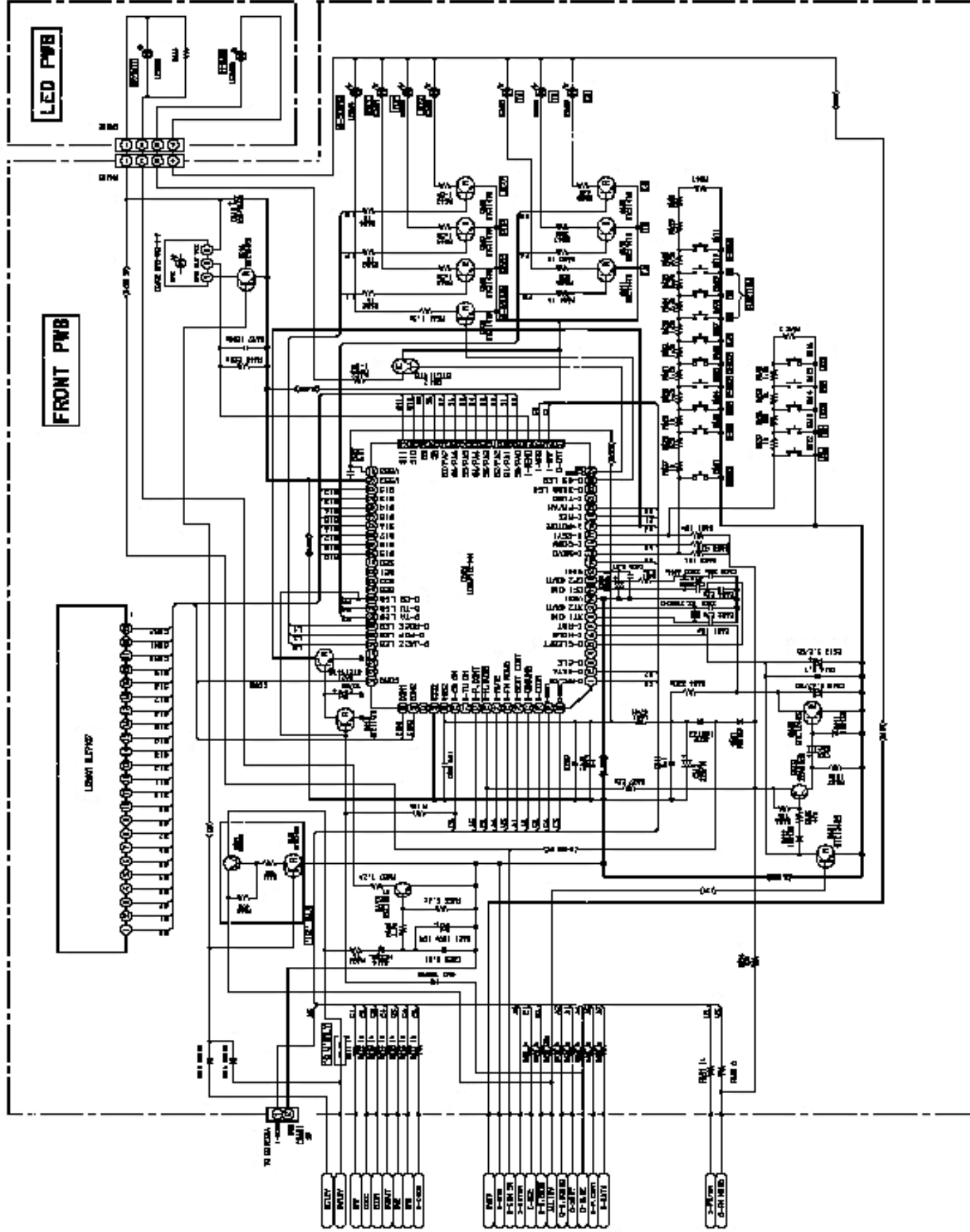


100-5554-1-201

100-5554-1-201

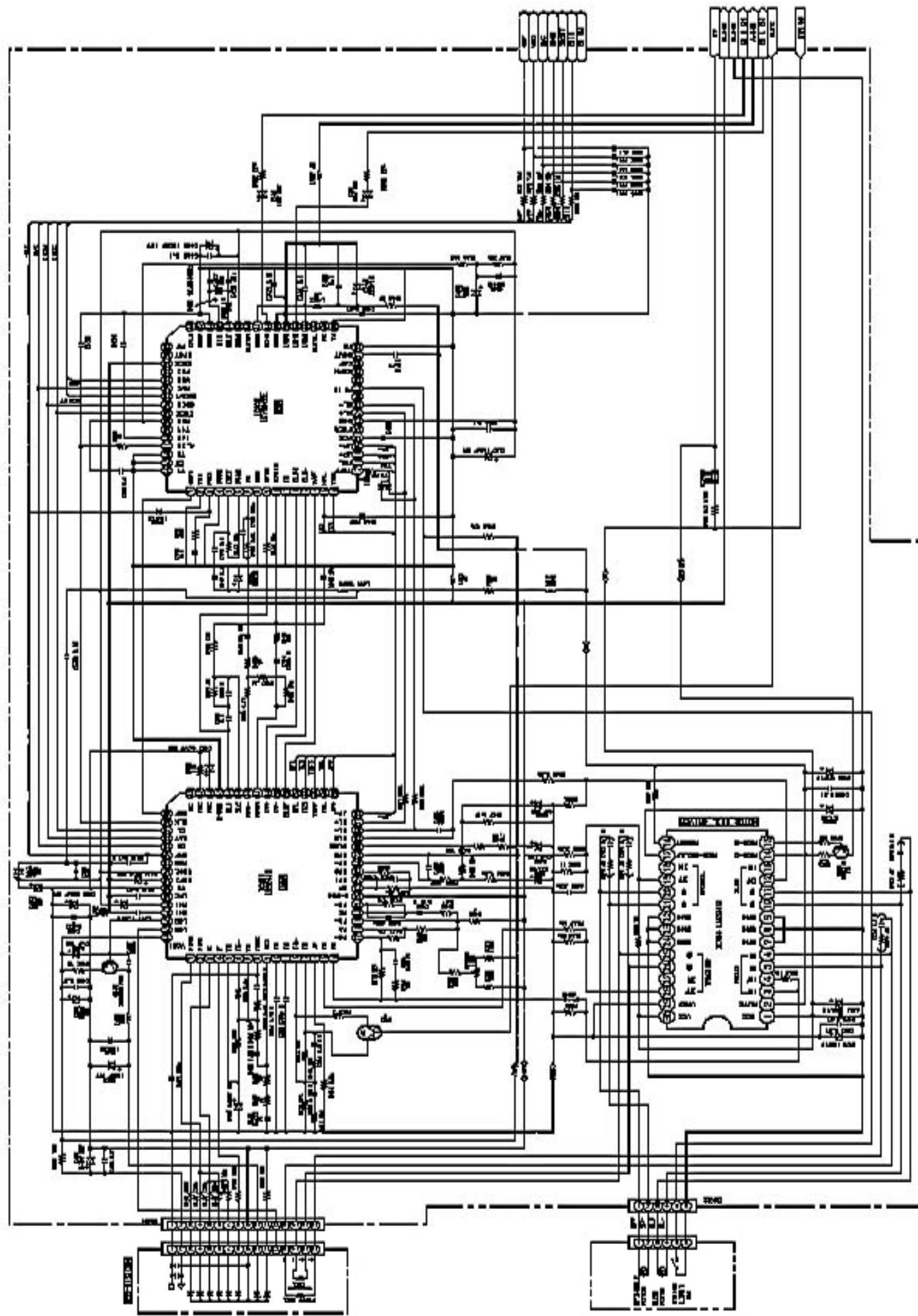
100-5554-1-201 REV 1

SCHEMATIC DIAGRAM - 2 (FRONT)





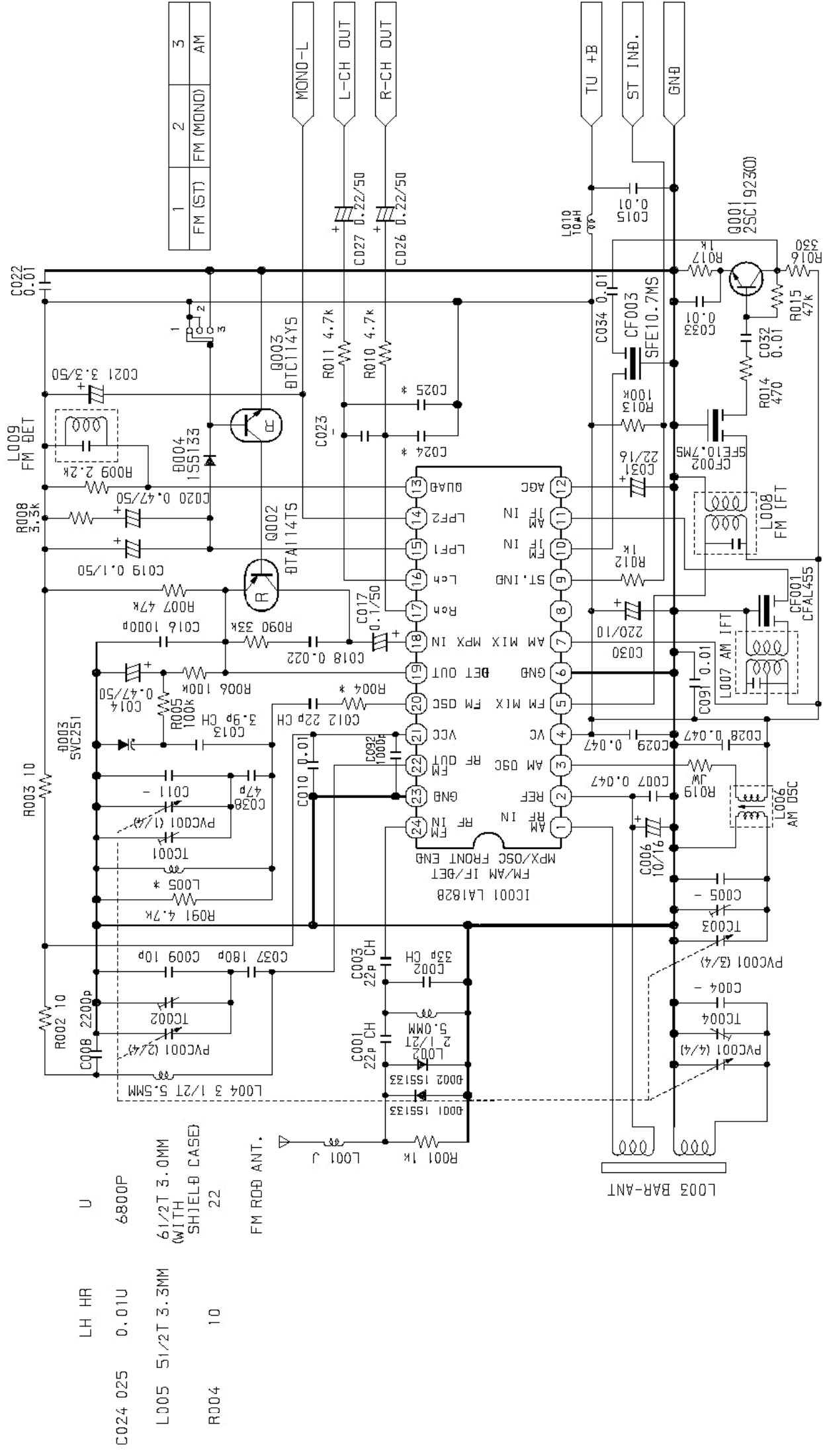
SCHEMATIC DIAGRAM - 3 (CD)



DATE: \_\_\_\_\_  
 BY: \_\_\_\_\_

21F-49

SCHEMATIC DIAGRAM - 4 (TUNER)



サービス技術ニュース	
番号	連絡内容
G- -	
G- -	
G- -	

**アイワ株式会社**  
**AIWA CO.,LTD.**

9820527

Tokyo Japan

〒110-8710 東京都台東区池之端1-2-11 ☎03(3827)3111 (代表)

Printed in Singapore